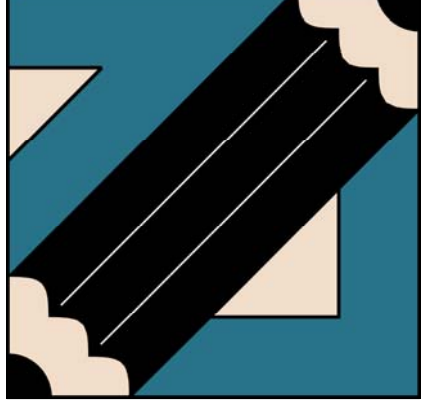
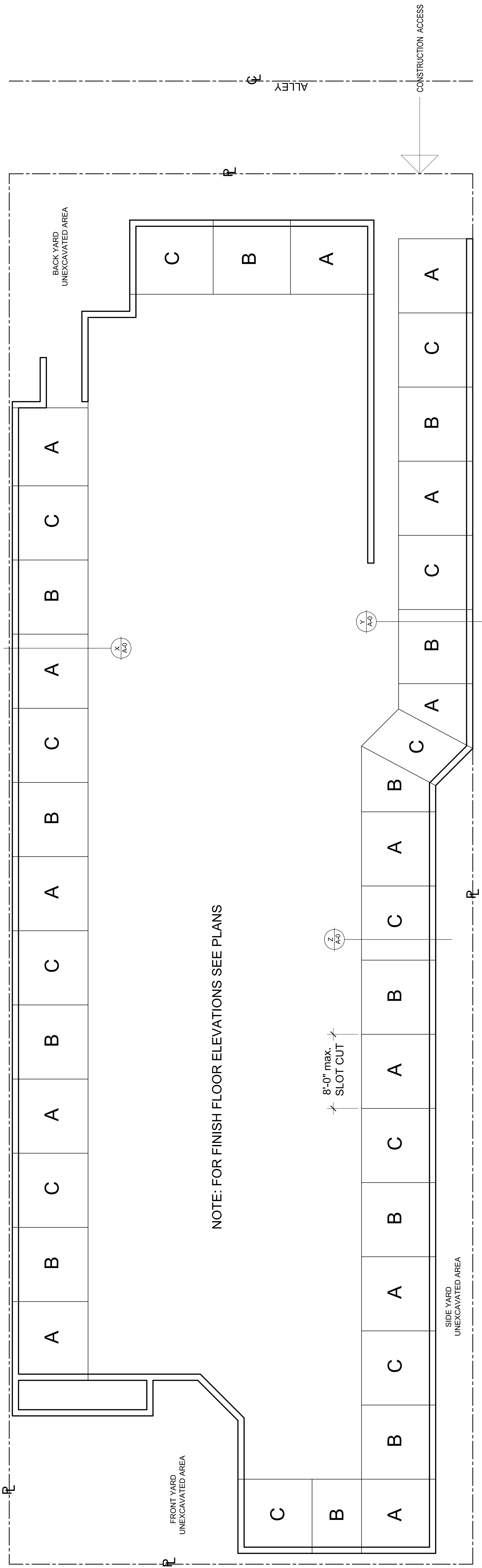


MR. ALI MADANI & MR. HOSSAIN ASHTIANI
 5 UNIT CONDOMINIUMS at:
 1327 EUCLID STR., SANTA MONICA, CA-90404
 Tel: 310.829.0996; Fax: 310.829.7889

L&V architects inc.
 1514 17th Street, Suite 207
 Santa Monica, CA 90404
 Tel: 310.829.0996; Fax: 310.829.7889



SLOT CUT PLAN
 title
 08.01.07. date
 3/16"=1'-0" scale
T-4 sheet number

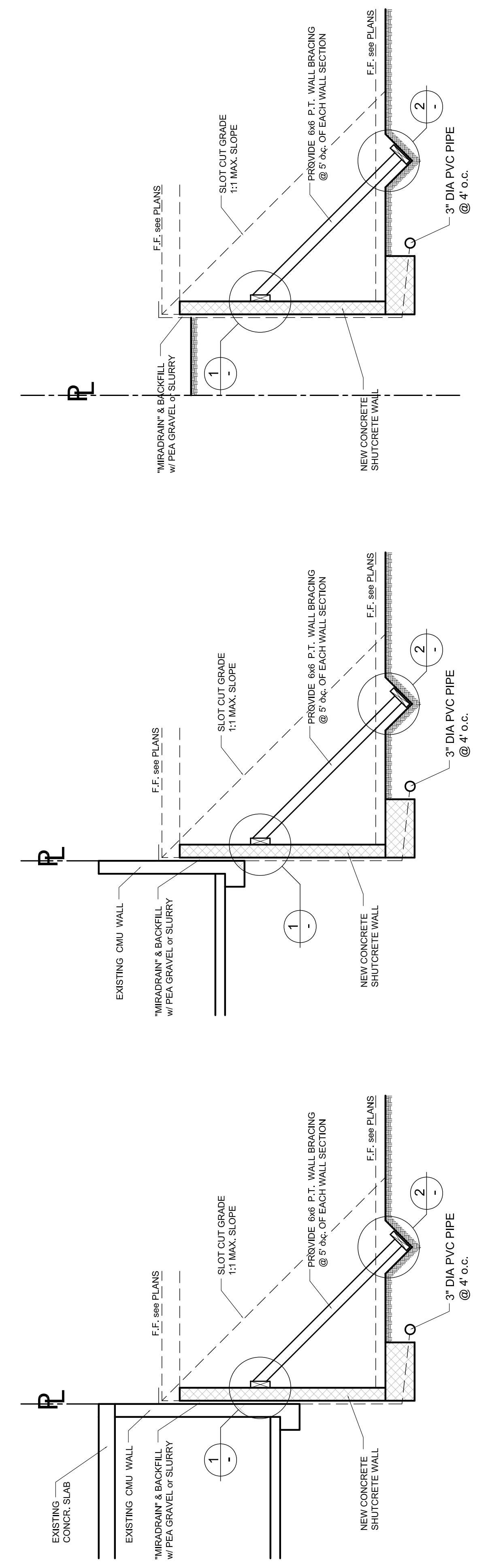


NOTE: FOR FINISH FLOOR ELEVATIONS SEE PLANS

SLOT CUT PLAN
 scale 3/16"=1'-0"

SLOT CUT PROCEDURE

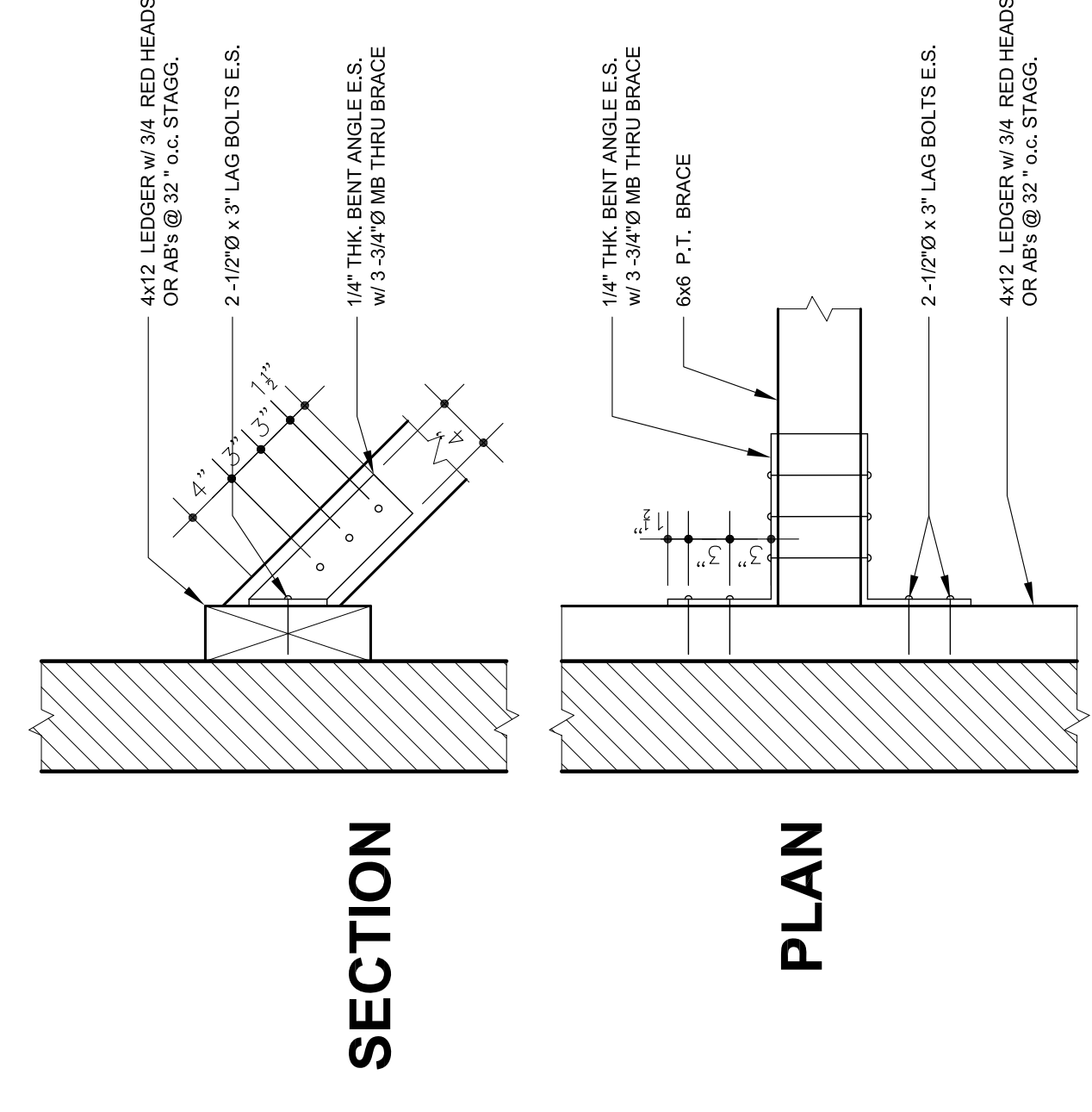
- CUT VERTICAL SLOTS PER A, B, C. SEQUENCE WIDTH OF SLOT NOT TO EXCEED 8'-0" w/ 1:1 SLOPE. IN EACH SLOT CUT PROVIDE "MIRADRAN" WATERPROOFING & WEEP HOLES PER PLAN.
 - CONSTRUCT WALL SECTIONS IN A. SLOTS w/ 2" DOWEL ENDS OF HORIZONTAL REBARS TO BE INSTALLED IN EACH SECTION. BENT ANGLE REBARS TO BE INSTALLED AT 90 DEGREE ANGLE TO WALL SECTION. PROVIDE 1/4" THICK BENT ANGLE E.S. w/ 3-3/4" DIA. TIRU BRACE BETWEEN THE WALL SECTIONS & THE BANK w/ FEA GRAVEL OR SLURRY AFTER WALL SECTIONS HAVE BEEN CURED.
 - CUT B SLOTS AFTER WALL SECTIONS @ A SLOTS HAVE BEEN BACKFILLED.
 - CONSTRUCT CURB BRACE (IF REQUIRED), BACKFILL WALL SECTIONS IN B SLOTS (PROVIDE 24" DOWELS @ OPEN END).
 - REPEAT STEPS 2,3 & 4 IN C SLOTS AFTER B SLOTS ARE BACKFILLED.
- NOTE:
 REMOVE WALL BRG AFTER PADS, COLS & STRL SLABS ARE IN PLACE.



SECTION "X"
 scale 1/4"=1'-0"

SECTION "Y"
 scale 1/4"=1'-0"

SECTION "Z"
 scale 1/4"=1'-0"



DETAIL 1
 scale 1"=1'-0"

DETAIL 2
 scale 1"=1'-0"